

PIAZA

SPECIFICATIONS

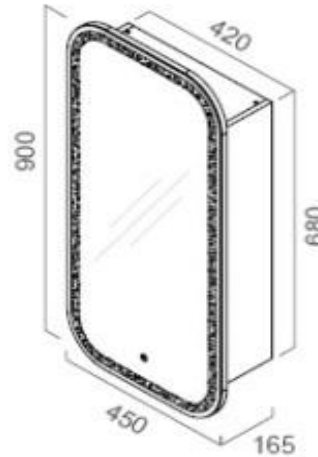
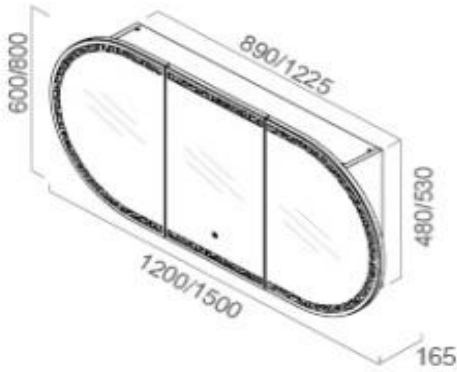


MIRO PIAZA 120
MIRO PIAZA 150



- 6000K Cool White Colour Temperature
- Illuminating on/off Touch Sensor
- Built-in Demister
- Copper Free
- 220-240V AC 50/60Hz
- IP44 Rating
- SAA Approved

MIRO PIAZA 90



CLEANING & MAINTENANCE:

Mirrors should be cleaned with a soft, non abrasive cloth

Avoid using waxes, solvents, abrasives, acids and other chemical based cleaners

Warranty will be void if damages are caused by unsuitable cleaning products

WARRANTY INFORMATION:

MIRROR MUST BE INSTALLED BY A LICENSED ELECTRICIAN

Cabinet Structure: **5 Years**

Hinges/Hardware: **1 Year**

LED Mirror: **2 Years**

Mirror & Mirror Panels: **1 Year**

All Mirror Cabinets have a full **1 year** in house labour warranty from date of purchase

Measurements subject to change due to manufacturing variations. Always use Physical Product for Roughing-In

ZENMO
Zen-inspired, Modern Living

ADDRESS: 42 Castro Way, Derrimut VIC 3026

PHONE: (03) 8390 6300

OFFICE: ect_sales@outlook.com

SERVICE: ect_service@outlook.com

WEBSITE: www.zenmo.com.au